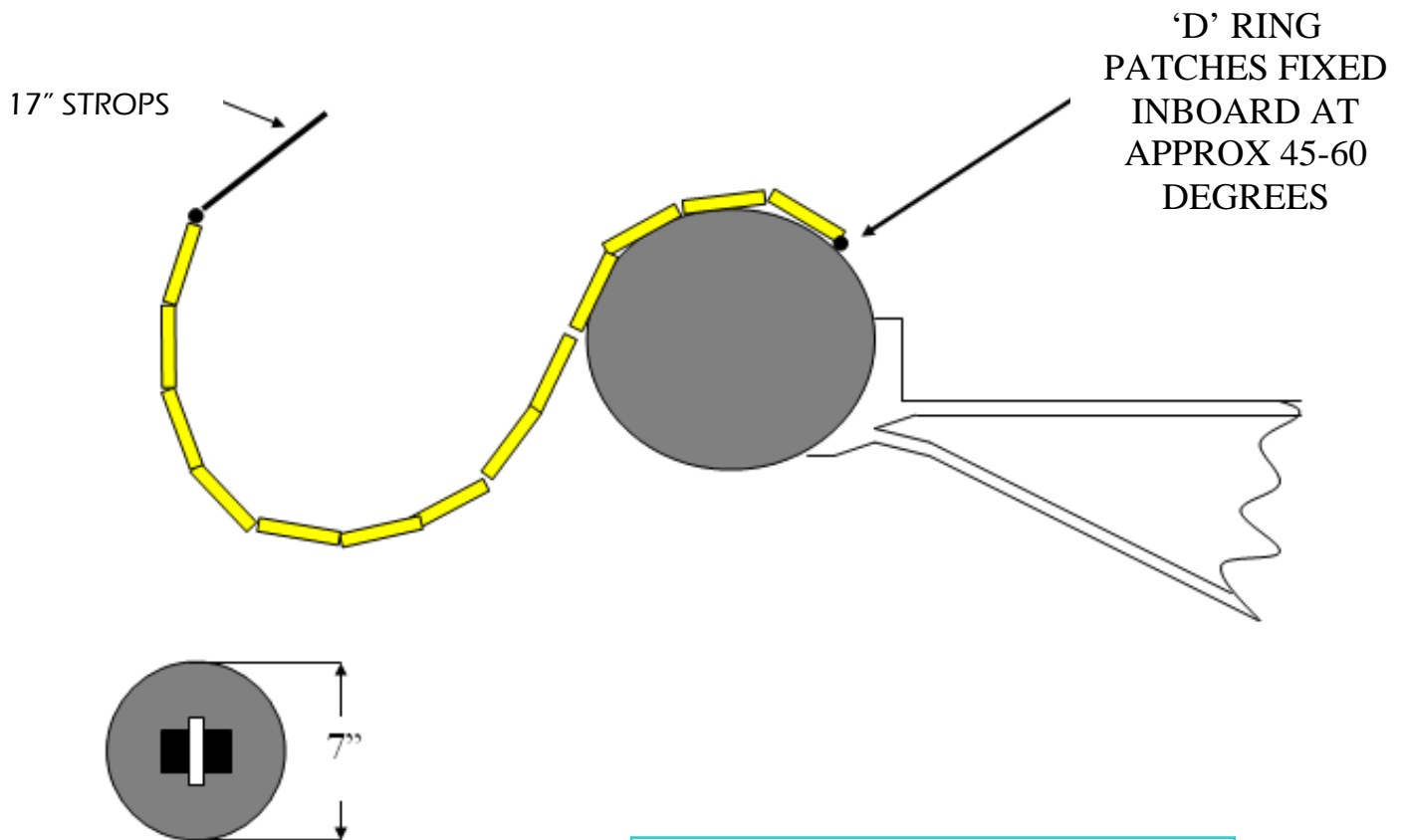


Recommended Installation of Jason's Cradle on FRC



If you require further information regarding fixing positions for your Jason's Cradle®, then please do not hesitate to contact our Technical Department.

Email:
technicalsupport@jasonscradle.co.uk

Jason's Cradle® MOB systems
+44 (0)1202 874365
www.jasonscradle.co.uk

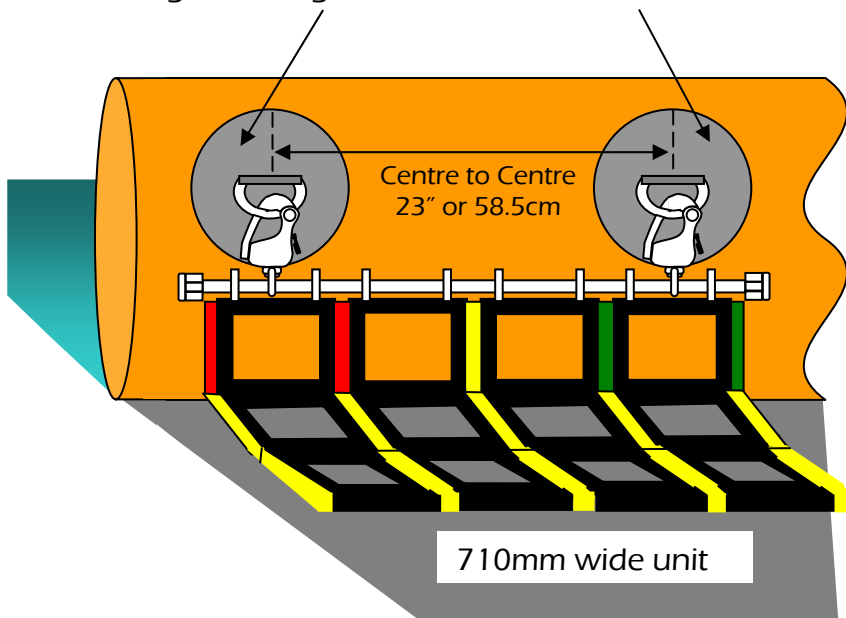
Manufactured by: Land and Marine Products Ltd

6 Aerial Park, Uddens Trading Estate, Wimborne, Dorset BH21 7NL T: +44 (0)1202 874365 F: +44 (0)1202 876296 E: info@jasonscradle.co.uk

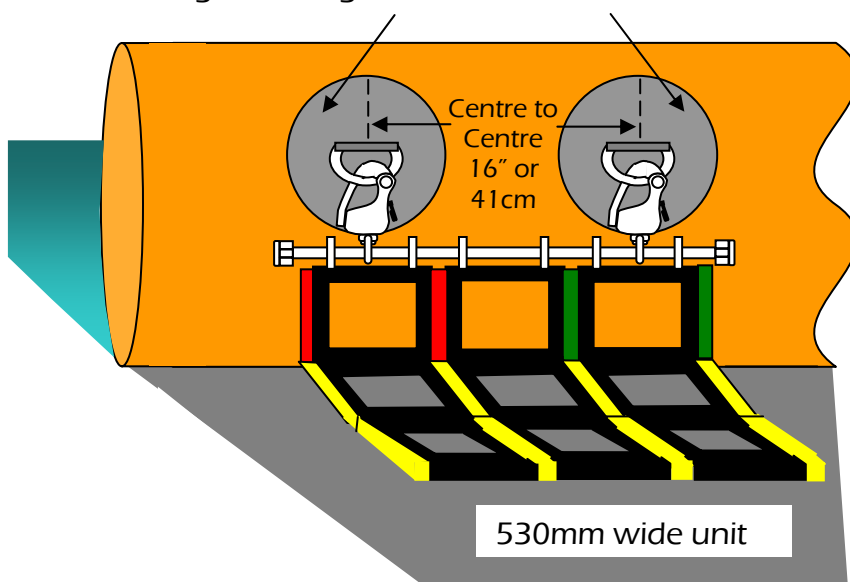
Recommended Installation of Jason's Cradle on FRC



'D' Ring Patches glued with Bostik 2402 for HYPALON



'D' Ring Patches glued with Bostik 2402 for HYPALON



Jason's Cradle[®] **MOB systems**

+44 (0)1202 874365

www.jasonscradle.co.uk

Manufactured by: Land and Marine Products Ltd

6 Aerial Park, Uddens Trading Estate, Wimborne, Dorset BH21 7NL T: +44 (0)1202 874365 F: +44 (0)1202 876296 E: info@jasonscradle.co.uk