

RECOMMENDED INSTALLATION OF JASON'S CRADLE® ON FRC

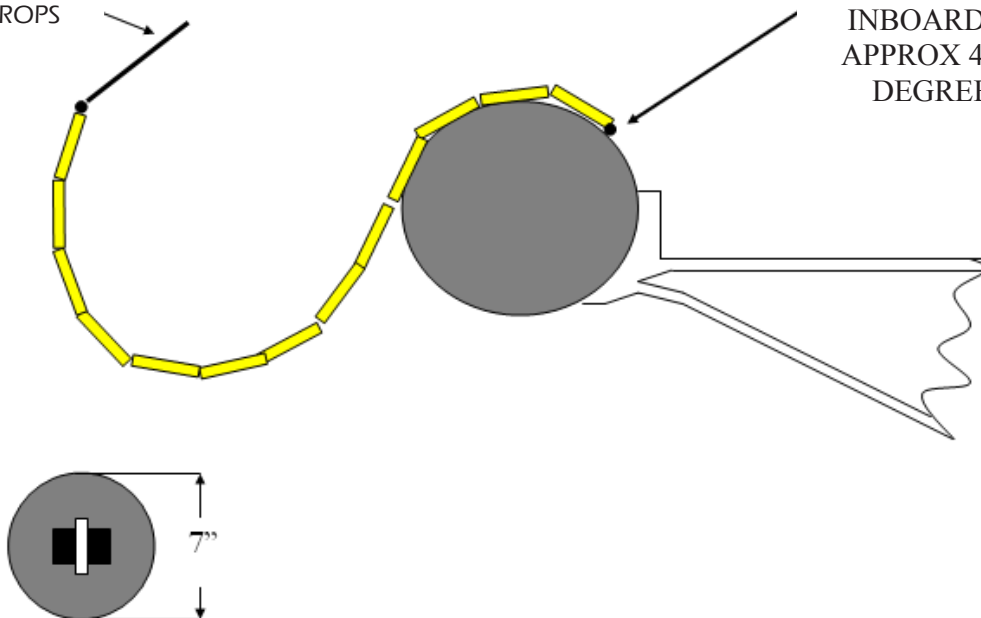
If you require further information regarding fixing positions for your Jason's Cradle®, then please do not hesitate to contact our Technical Department.

Email: technicalsupport@jasonscradle.co.uk



17" STROPS

'D' RING
PATCHES FIXED
INBOARD AT
APPROX 45-60
DEGREES



CALL US ON **+44 (0)1202 874365**
EMAIL US AT **INFO@JASONSCRADLE.CO.UK**
OR VISIT **WWW.JASONSCRADLE.CO.UK**

Be equipped for
SOLAS III/17-1



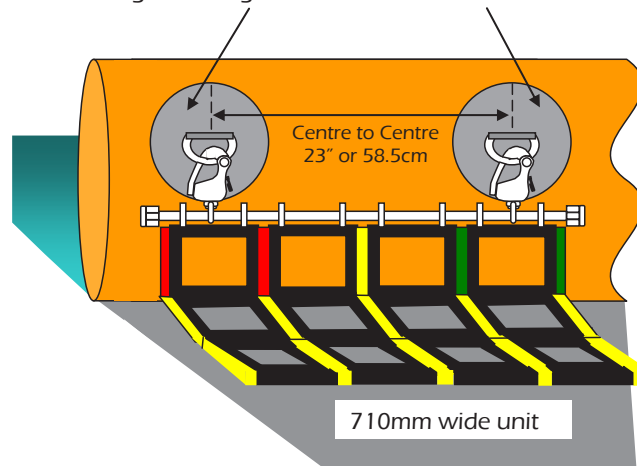
RECOMMENDED INSTALLATION OF JASON'S CRADLE® ON FRC

If you require further information regarding fixing positions for your Jason's Cradle®, then please do not hesitate to contact our Technical Department.

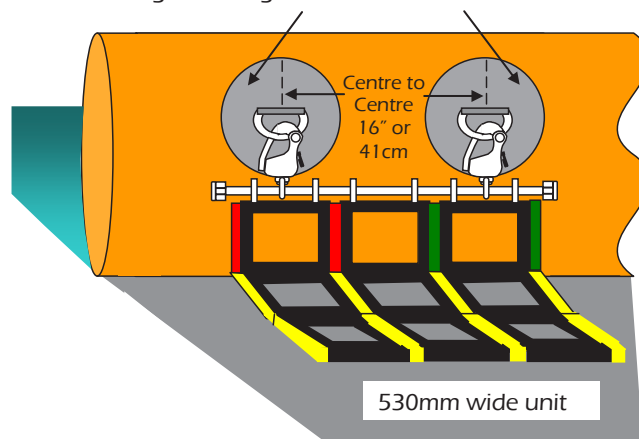
Email: technicalsupport@jasonscradle.co.uk



'D' Ring Patches glued with Bostik 2402 for HYPALON



'D' Ring Patches glued with Bostik 2402 for HYPALON



CALL US ON **+44 (0)1202 874365**
EMAIL US AT **INFO@JASONSCRADLE.CO.UK**
OR VISIT **WWW.JASONSCRADLE.CO.UK**

Be equipped for
SOLAS III/17-1

