

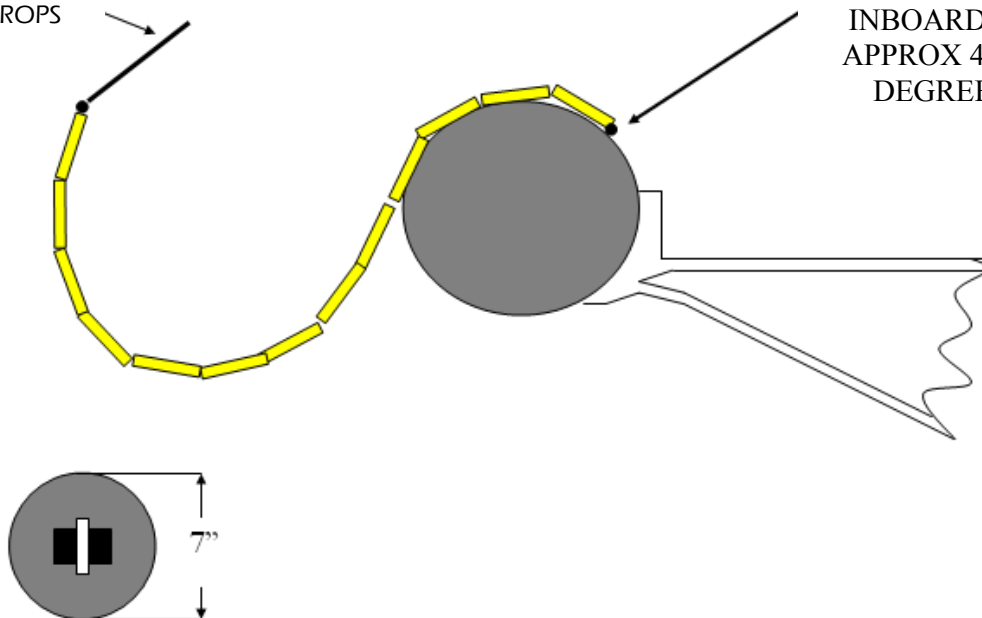
## RECOMMENDED INSTALLATION OF JASON'S CRADLE® ON FRC

If you require further information regarding fixing positions for your Jason's Cradle®, then please do not hesitate to contact our Technical Department.

Email: [technicalsupport@jasonscradle.co.uk](mailto:technicalsupport@jasonscradle.co.uk)



17" STROPS



'D' RING  
PATCHES FIXED  
INBOARD AT  
APPROX 45-60  
DEGREES

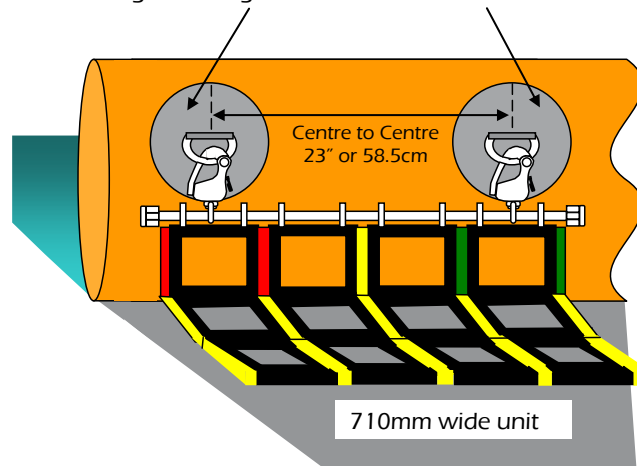
CALL US ON **+44 (0)1202 874365**  
EMAIL US AT **INFO@JASONSCRADLE.CO.UK**  
OR VISIT **WWW.JASONSCRADLE.CO.UK**

## RECOMMENDED INSTALLATION OF JASON'S CRADLE® ON FRC

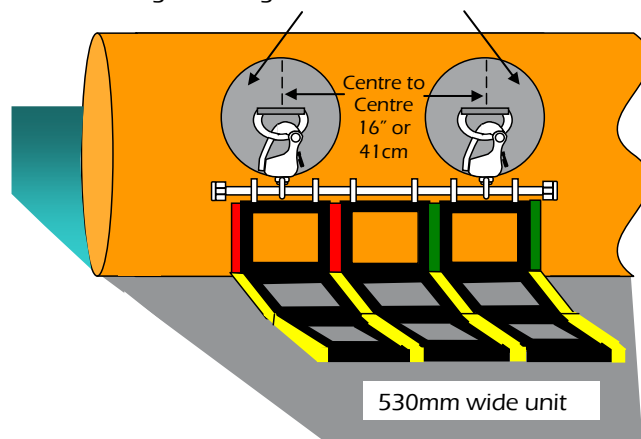
If you require further information regarding fixing positions for your Jason's Cradle®, then please do not hesitate to contact our Technical Department.

Email: [technicalsupport@jasonscradle.co.uk](mailto:technicalsupport@jasonscradle.co.uk)

'D' Ring Patches glued with Bostik 2402 for HYPALON



'D' Ring Patches glued with Bostik 2402 for HYPALON



CALL US ON **+44 (0)1202 874365**  
EMAIL US AT **INFO@JASONSCRADLE.CO.UK**  
OR VISIT **WWW.JASONSCRADLE.CO.UK**